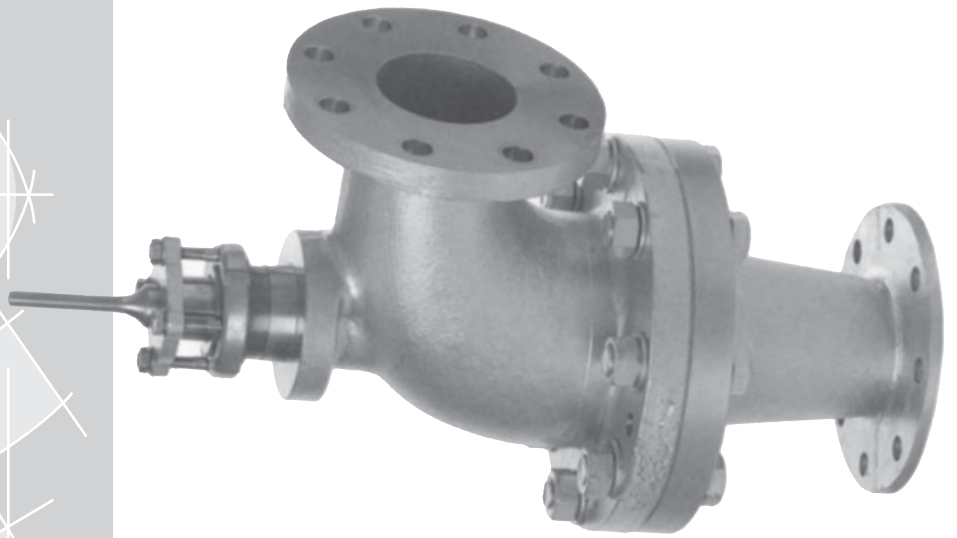


# SLURRY CONTROL VALVE



Developed in co-operation with engineers from a large mining house, the Micro Slurry Control Valve was created to handle slurries at temperatures of up to 230°C and velocities of more than 50m/s at the valve outlet. Manufactured in any grade of stainless steel, depending on the application. These valves were used extensively in a pressure leach plant in America. The needle and choke, designed specifically to satisfy the particular process parameters, are made from silicon carbide and thus able to handle the abrasive nature of the products.

## Advantages - Features

The valves operate with most standard actuators.

The valves will operate successfully at slurry velocities of more than 50m/s at the valve outlet, at temperatures up to 230°C and in extremely corrosive media.

The valve design incorporates the inexpensive replacement of low cost silicon carbide wear parts

Easy to maintain and strip when components need to be replaced.

Ideal in an environment where the flow of abrasive slurries needs to be controlled.



Corner Staal Road and Spokeshave Street, Stormill Ext. 2, Roodepoort  
PO Box 607 Maraisburg 1700, South Africa

Tel: +2711 474 2580 Fax: +2711 474 9504

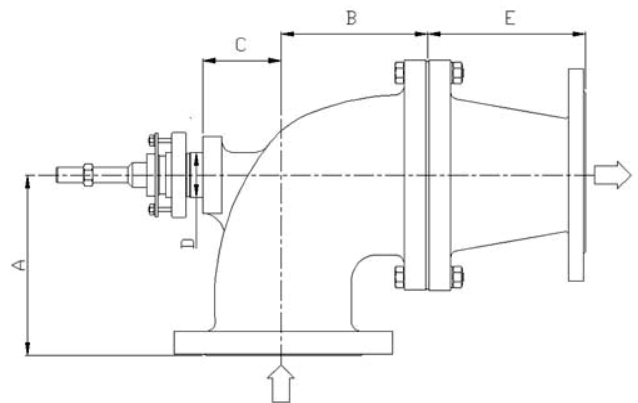
email: [nicroind@iafrica.com](mailto:nicroind@iafrica.com) [www.nicroindustrial.co.za](http://www.nicroindustrial.co.za)

# SLURRY CONTROL VALVE

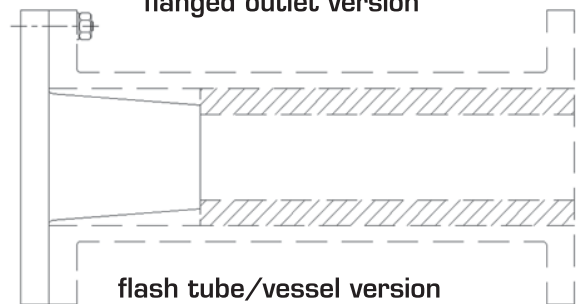
## Applications

- Mill discharge level control
- Pressure leach autoclave let-down
- Belt filter level control
- Drum filter level control
- Backfill metering

## Major dimensions



flanged outlet version



flash tube/vessel version

Valve size	Class	Flange	DIM A	DIM B	DIM C	DIM D	DIM E	Thread
80-3"	10 Bar	80NB	123	105	55	50	135	To suit actuators
80-3"	300	80NB	160	143	55	50	130	To suit actuators
100-4"	300	100NB	200	180	185	71,5	207	To suit actuators
150-6"	300	150NB	246	213	110	71,5	229	To suit actuators

Other sizes and pressure ratings can be supplied on request.

Note: When ordering spares, specify the part number. Item numbers are for illustration reference only.

Nicro has a policy of continual research and development, and reserves the right to change data without notice.